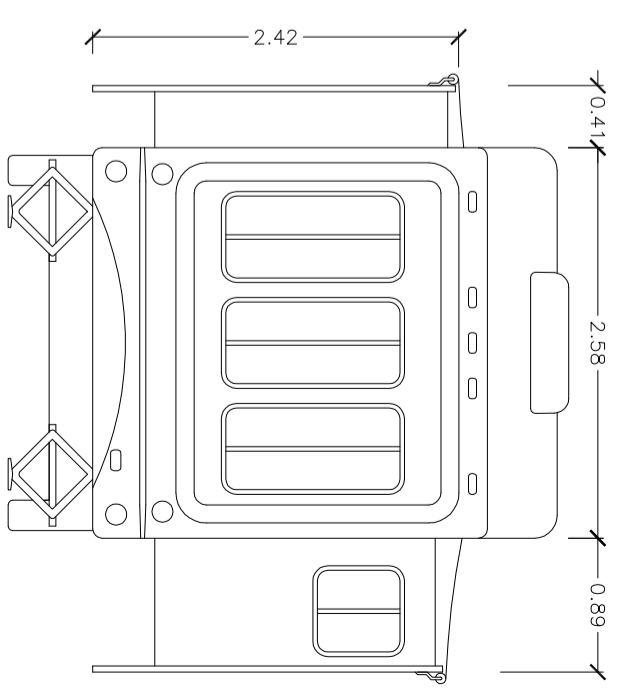
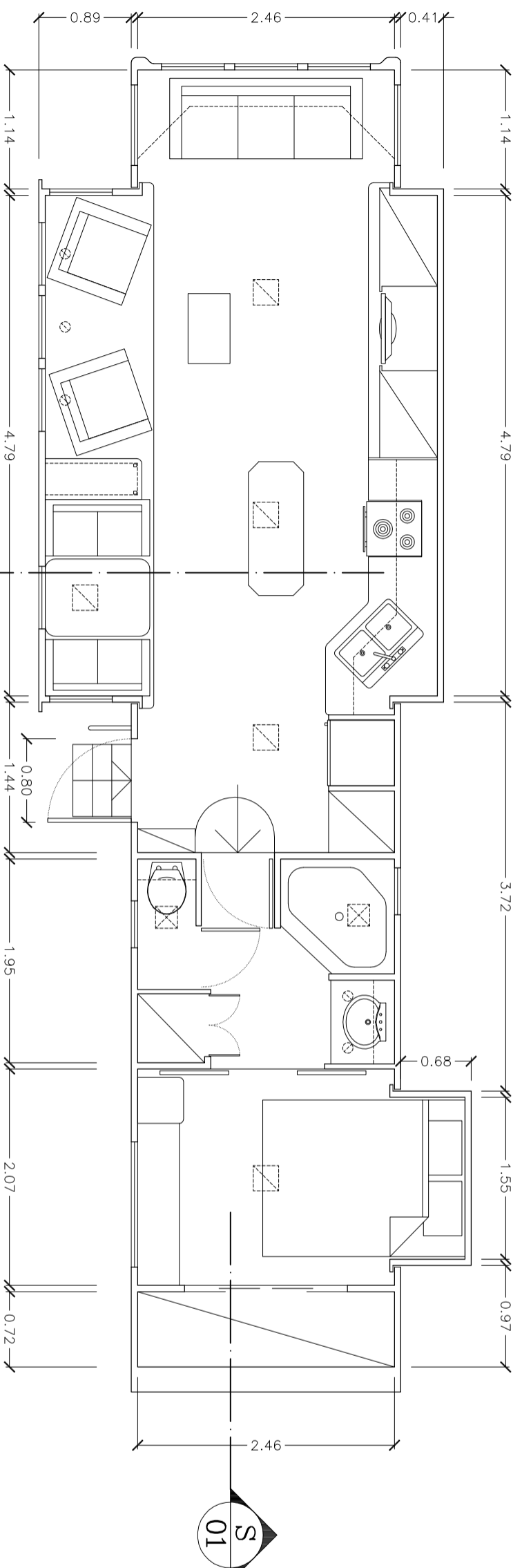


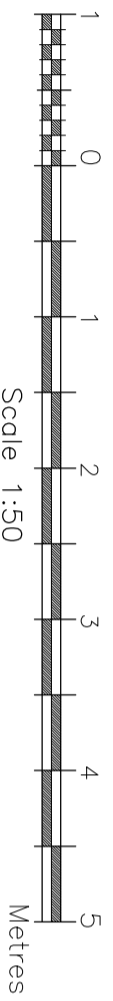
SIDE ELEVATION



BACK ELEVATION



FLOOR PLAN



RevNo	Revision note	Date	Signature	Checked
-------	---------------	------	-----------	---------

5th WHEEL AMERICAN ARTIST TRAILER - D

PLAN & ELEVATIONS

Drawn by	Date	Scale	Sheet	Filename	GOD/2009/035/AT-D
R. S.	26 MAR 2012	1:50	001	GOD/2009/035	