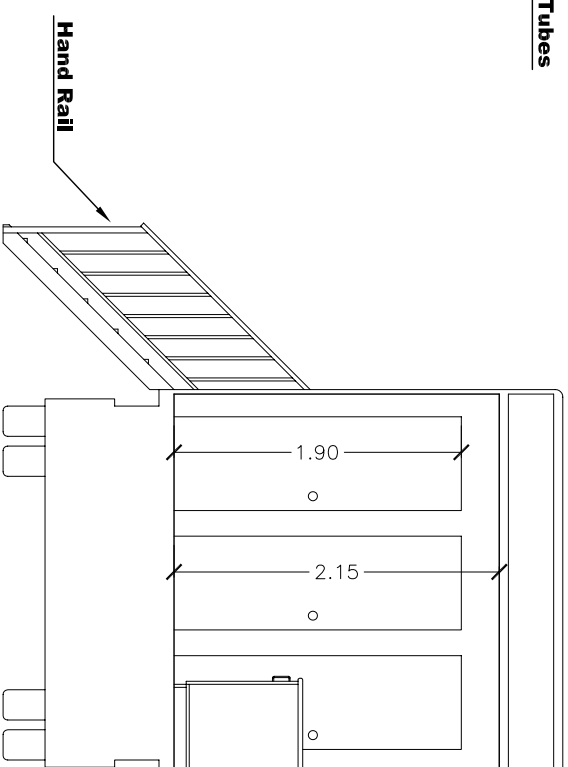
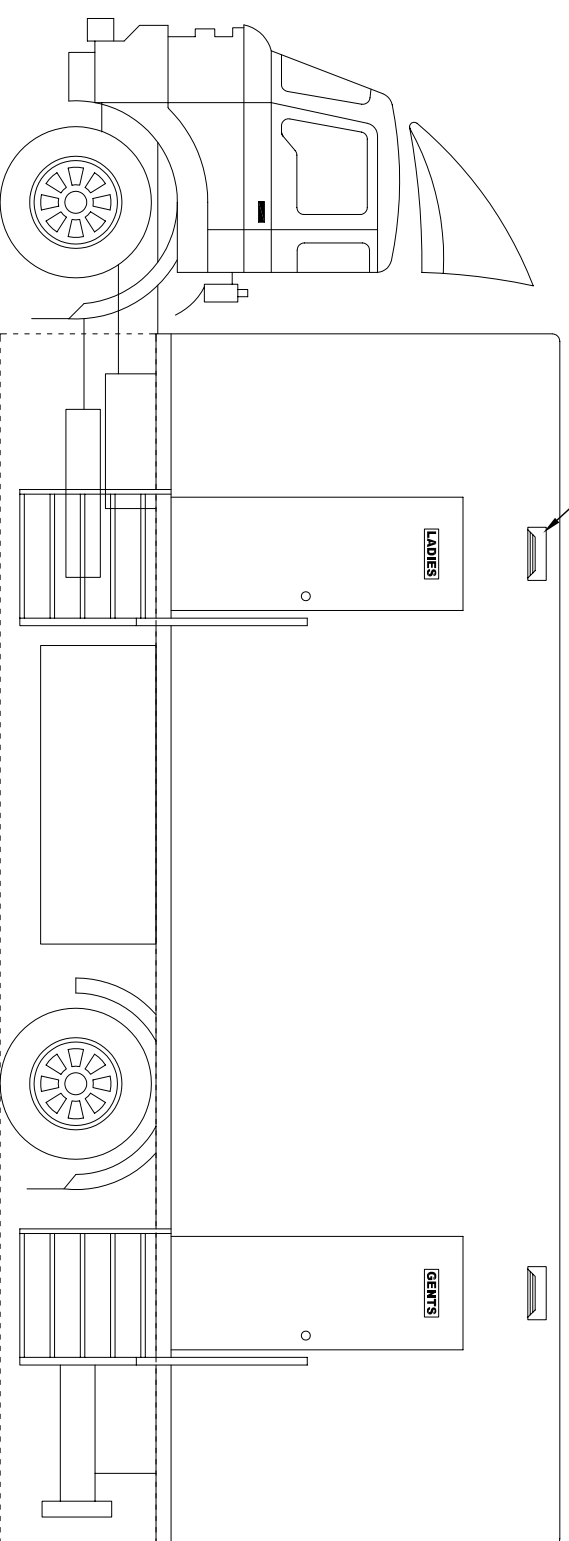


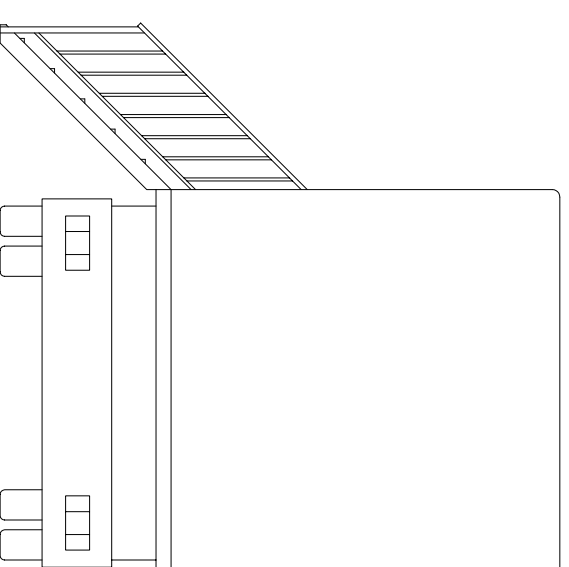
SECTION-01



SECTION-02



SIDE ELEVATION

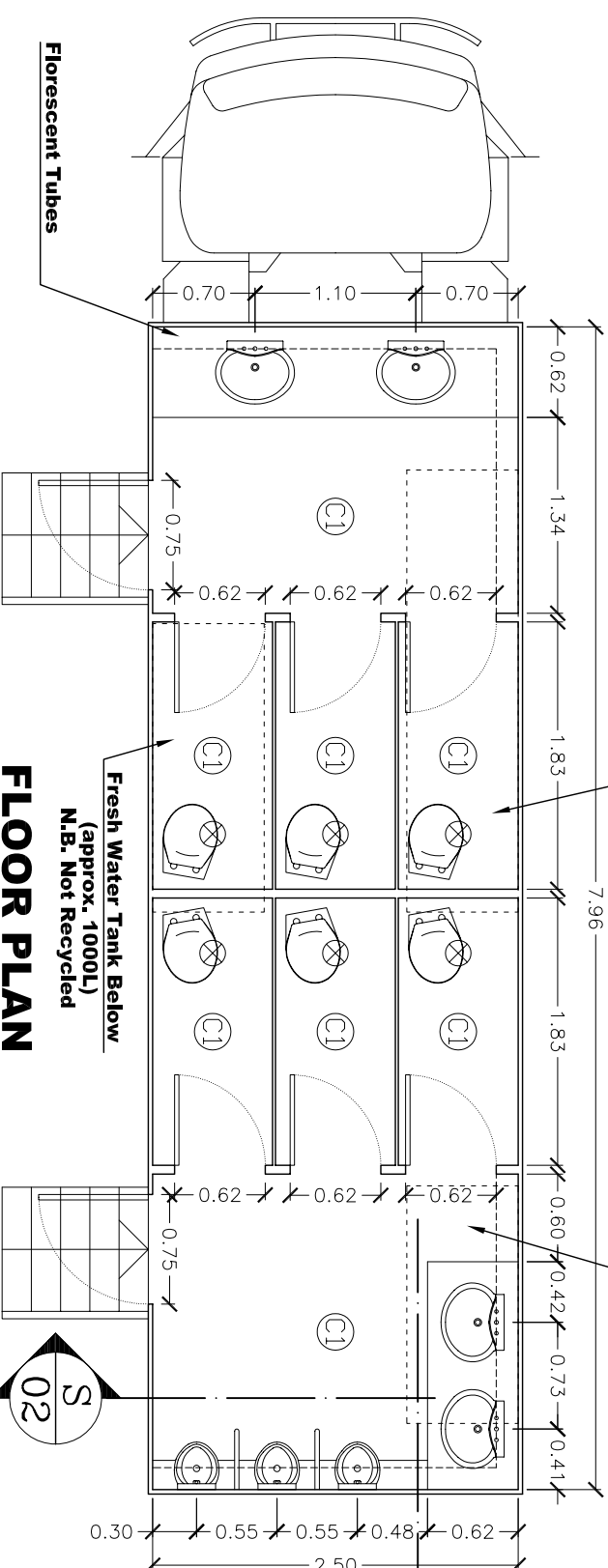


BACK ELEVATION

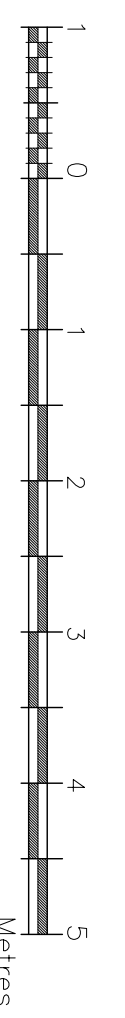
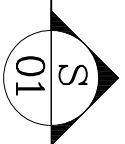
Removable Cover Attached To The Mobile Unit To Cover Wheels And Tanks.

Waste Water Tank Below (approx. 1500L)

Waste Water Tank Below (approx. 500L)



FLOOR PLAN



RevNo	Revision note	Date	Signature	Checked

MOBILE TOILETS TYPE-B

PLANS, SECTIONS & ELEVATIONS

Drawn by R. S.	Date 04 JUL 2009	Scale 1:50	Sheet 002	Filename GOD/2009	GOD/2009/B
-------------------	---------------------	---------------	--------------	----------------------	------------